

# Car Stereo Service Bulletin

CSA-14

Sony Service Company - Technical Services  
A Division of Sony Electronics Inc.  
Sony Drive, Park Ridge, New Jersey 07656

Model: GEN-CAR

No. 382

Subject: Preventing Recurring Damage To Amp IC And  
Power Supply IC.

Date: November 10, 1995

## Symptom:

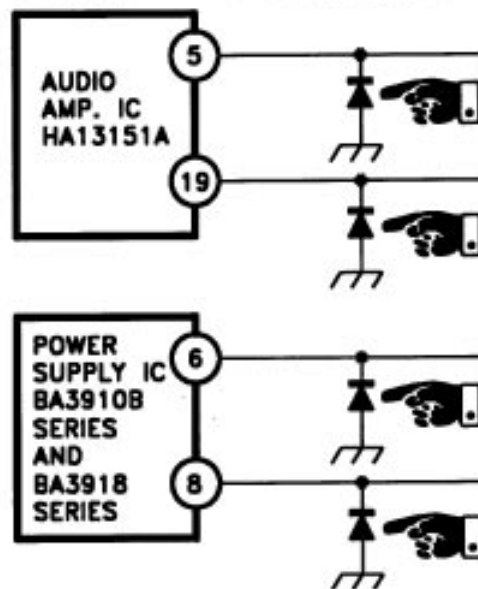
(\*\*)

The HA13151A audio amp IC or the BA3910B/BA3918 series of power supply IC may sometimes be damaged by incorrect wiring connections or by counter-electromotive force generated by the vehicle's power antenna relay. The symptoms vary dependant upon which section of the IC fails.

## Solution:

If either of the above IC types is found to be damaged replace it, and prevent recurring damage by adding 2 diodes to the IC as shown below. In those models which use both types of ICs, add the diodes to both ICs even if only one is damaged.

REF	DESCRIPTION	PART NUMBER
-	DIODE, 11ES2	8-719-200-82



Filename: CAR0382.SB  
Directory: J:\SBDOC\NOV95  
Template: C:\WINWORD\TEMPLATE\S\_BULL.DOT  
Title:  
Subject:  
Author: Hoyt Wing Lee  
Keywords:  
Comments:  
Creation Date: 11/10/95 9:47 AM  
Revision Number: 2  
Last Saved On: 11/10/95 9:47 AM  
Last Saved By: Hoyt Wing Lee  
Total Editing Time: 1 Minute  
Last Printed On: 04/01/96 10:15 AM  
As of Last Complete Printing  
Number of Pages: 1  
Number of Words: 167 (approx.)  
Number of Characters: 953 (approx.)